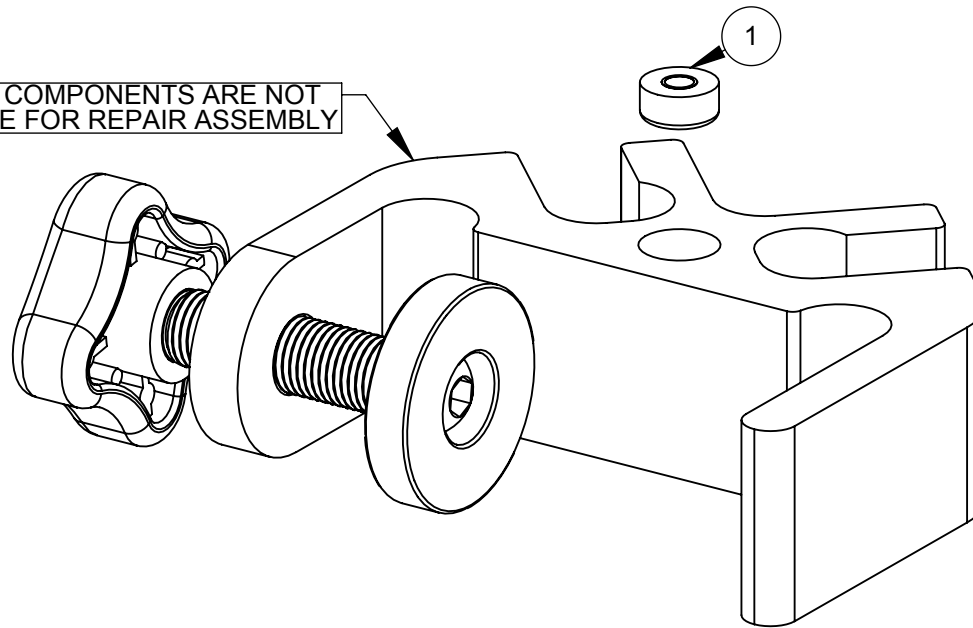


THESE COMPONENTS ARE NOT AVAILABLE FOR REPAIR ASSEMBLY



***NOTE**

Components may be sold separately.
Please see sub-assembly part number
drawing for details.

ITEM NO.	PartNo	DESCRIPTION	QTY
1	6050-022	VIAL, 130 MINUTE	1

5217-21-051

HEAD, BIPOD, BARCODE, 130 MIN

DATE: 4/12/17

REV. A

PAGE 1 OF 1

sēco

REDDING: 800-824-4744
www.surveying.com