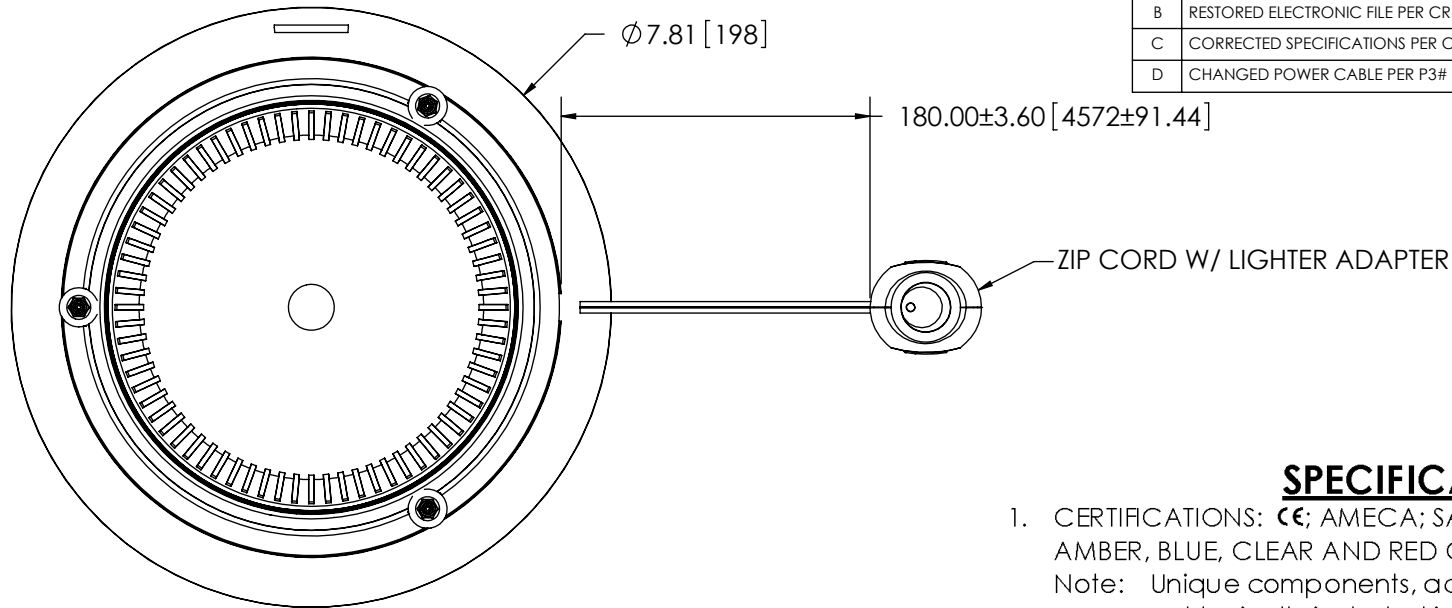


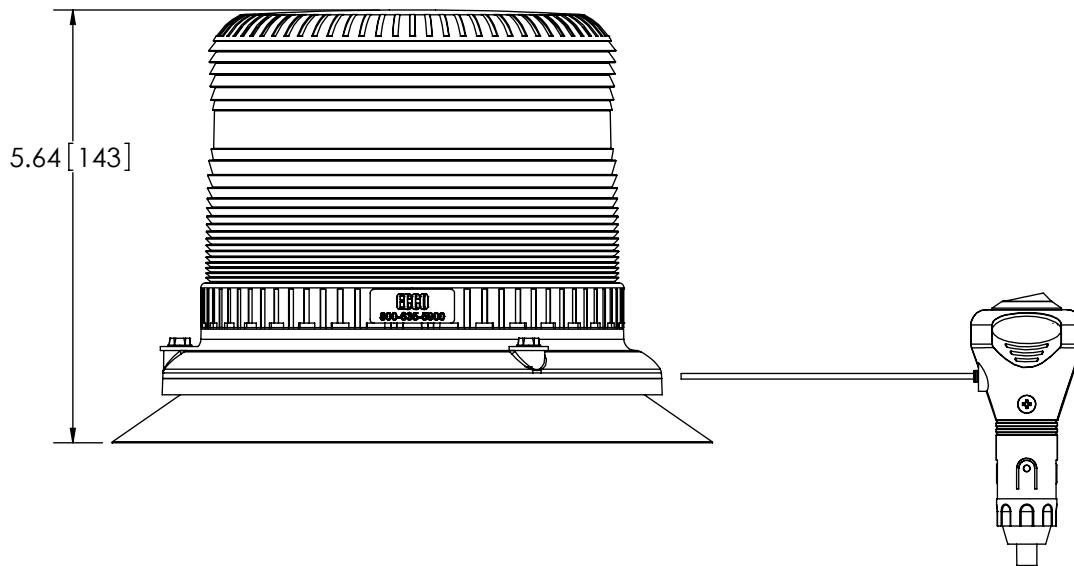
REVISION HISTORY		
REV.	DESCRIPTION	DATE
B	RESTORED ELECTRONIC FILE PER CR# 1138	2003-05-30
C	CORRECTED SPECIFICATIONS PER CR# 1636	2004-10-15
D	CHANGED POWER CABLE PER P3# 08025	2008-09-30




LENS CHART	
PRODUCT P/N	LENS COLOR
6550A-VM	AMBER
6550B-VM	BLUE
6550C-VM	CLEAR
6550G-VM	GREEN
6550R-VM	RED

### SPECIFICATIONS

- CERTIFICATIONS: **CE**; AMECA; SAE J1318 (May 98), CLASS 2 FOR AMBER, BLUE, CLEAR AND RED COLORS  
 Note: Unique components, accessories, and hardware kits are not typically included in the Product Certification Test Protocols. Unless otherwise specified. The Product Certifications referred to herein are predicated upon the base product model configuration.
- FLASH MODE: DOUBLE: 80 ± 5 FLASHES PER MINUTE
- VOLTAGE (NOMINAL): 12 – 48 VDC
- VOLTAGE (EXTREME): 9.0 – 55.0 VDC
- CURRENT (NOMINAL): 1.5 A
- POWER (NOMINAL): 23 W
- TEMPERATURE RANGE: -22°F(-30°C) TO 122°F(50°C)
- CONNECTION: ZIP CORD W/ LIGHTER ADAPTER
- MOUNTING: VACUUM MOUNT
- BASE MATERIAL: POLYCARBONATE
- LENS MATERIAL: POLYCARBONATE
- PRODUCT WEIGHT: 2.7 LBS



NOTES:  
 1. DIMENSIONS IN INCHES [MILLIMETERS (FOR REFERENCE)]

SCALE 1:2.5		APPROVALS	DATE	 <b>Electronic Controls Co.</b> 833 West Diamond Street, Boise, ID 83705 800-635-5900 www.eccolink.com		
CAD GENERATED DRAWING DO NOT MANUALLY UPDATE. MODEL REFERENCED: E+		DRAWN BY DJG				
TOLERANCES ARE IN INCHES, AND MILLIMETERS TOLERANCES ARE:		CHECKED				
ELEC. ENG.		MECH. ENG.				
MILLIMETERS DECIMALS XX. ± 1.0mm XX.X ± 0.5mm	INCHES DECIMALS X.X ± 0.1 X.XX ± 0.04 X.XXX ± 0.02	ANGLES ± 0.5° FRACTIONS ± 1/64	ELEC. ENG.	<b>STROBE, 12-48VDC, 7JLS, DF, VAC MOUNT</b> CUSTOMER PART NO. <b>6550X-VM</b>		
THIRD ANGLE PROJECTION			TEST ENG.		PRODUCT SERIES: <b>6500</b>	
SALES.			SALES.	SIZE: <b>A</b>	DWG. NO. <b>6550X-VM</b>	REV. <b>D</b>
NON DISCLOSURE AGREEMENT			SHEET 1 OF 1		Project: 98003	Date Created: 1999-04-30

THIS DRAWING AND THE DESIGN IT DISCLOSES ARE THE PRIVATE PROPERTY OF ECCO AND IS ISSUED IN CONFIDENCE FOR ENGINEERING INFORMATION ONLY. THE DRAWING AND / OR DESIGN MAY NOT BE USED, COPIED, REPRODUCED, OR OTHERWISE DISCLOSED IN PART OR AS A WHOLE TO OUTSIDERS OR USED FOR ANY OTHER PURPOSE WITHOUT THE PRIOR WRITTEN CONSENT OF ECCO. THE DRAWING IS SUBJECT TO RECALL AT ANY TIME. YOUR POSSESSION OF THIS DOCUMENT CONSTITUTES ACCEPTANCE OF THESE TERMS. © 2004 ECCO