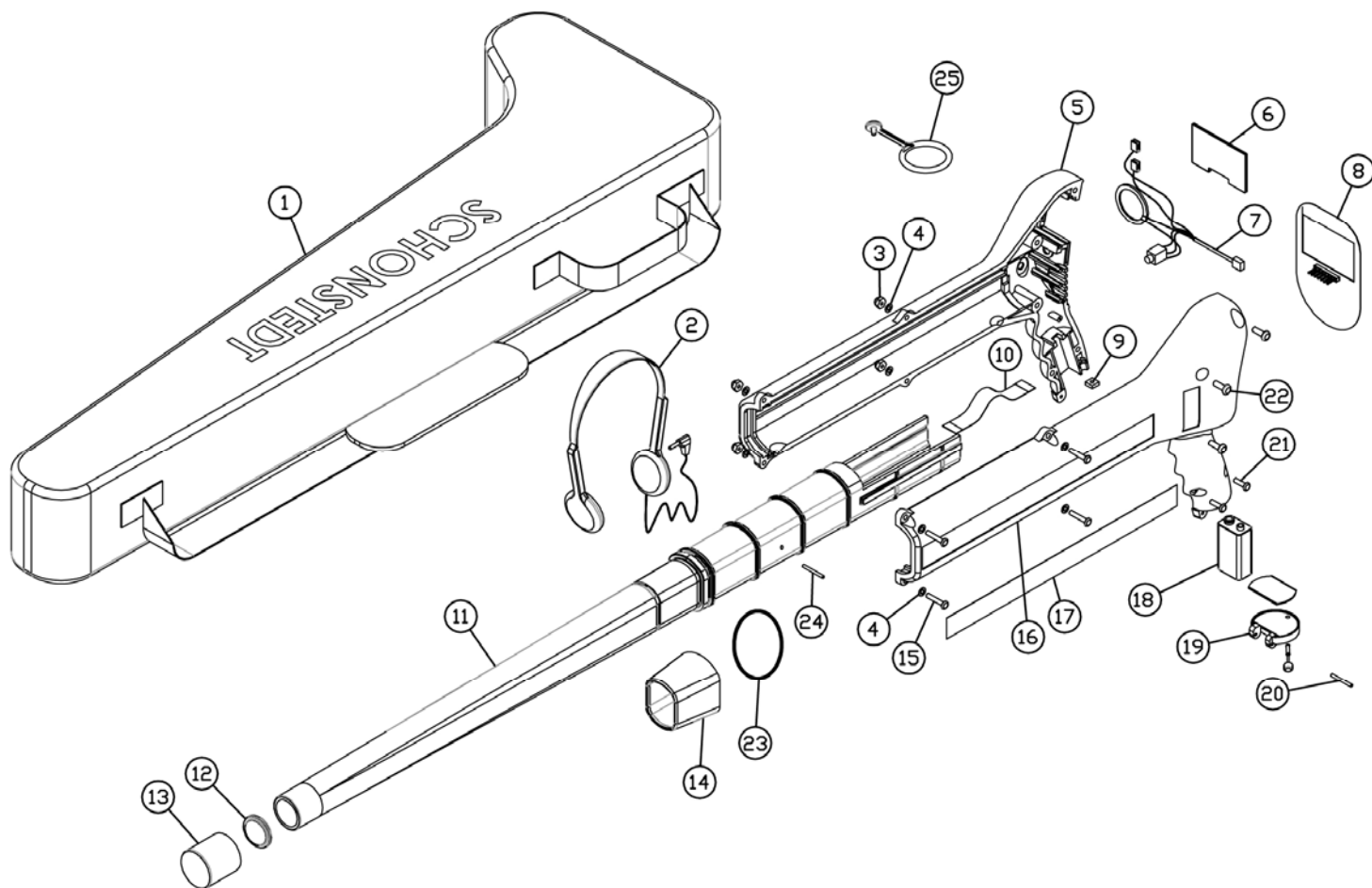


SECTION X: PARTS DIAGRAM



<u>Item</u>	<u>Part No</u>	<u>Description</u>	<u>Item</u>	<u>Part No</u>	<u>Description</u>
1	MA50000	SOFT CASE	15	S51113-NP	SCREW, #6-32 X 3/4
2	XT40000	HEADSET (OPTIONAL)	16	XT11200	DISPLAY HOUSING, LEFT
3	N51111	CAP NUT, #6-32	17	XT23000	SIDE LABEL, CO/PRODUCT
4	WI6P	LOCK WASHER, #6	18	B11014	BATTERY, 9V LITHIUM
5	XT11100	DISPLAY HOUSING, RIGHT	19	XT13101	BATTERY DOOR
6	PC11800	DISPLAY LENS		XT23200	CAPTIVE SCREW
7	PC11803	XTPC PIEZO ASSY		XT13300	GASKET
8	MA26000	MAGGIE MEMBRANE SWITCH	20	P23500	ROLL PIN, 3/32
9	N45000	SQUARE NUT, #6-32	21	S51006	SCREW, #6-32 X 1/2
10	MA11500	RIBBON CABLE	22	S51008	SCREW, #8-32 X 1/2
11	MA12100	TUBE	23	MA10004	O-RING
12	206750	END CAP	24	MA23504	BRASS PIN
13	208212	CRUTCH TIP	25	208605	XT HOUSING PLUG
14	MA11308	BOOT			