



MINIBARS | LIGHTBARS | DIRECTIONALS | WORKLAMPS | UTILITY BARS | INTERIOR LIGHTING | BACK-UP ALARMS | CAMERA SYSTEMS

BEACONS

7160 SERIES SAE Class I LED

The 7160 Series - Reflex™ LED provides the ultimate level of power, versatility and style available in an LED beacon. The latest high-intensity LEDs combine with reflector technology to produce a powerful, SAE Class I/Cal Title 13, warning signal in a light that also offers premium features, including multiple flash patterns, Hi/Lo intensity control and synchronization capability. Low amp draw, zero maintenance and an extended life backed by a 5-year warranty make this light an obvious choice to replace strobe or rotating lights.

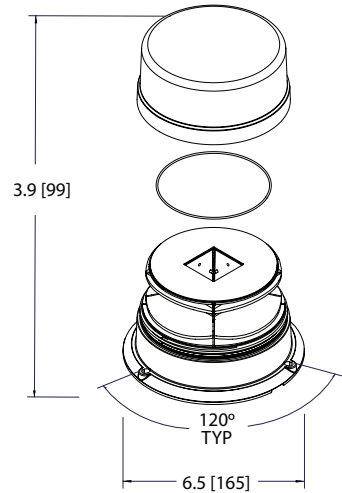
Models

PART NO.	VOLTAGE	AMPS	LENS/ILLUMINATION	MOUNT
7160X	12-24	2.0	Specify Color	3 Bolt Flange/1" Pipe
7160CX	12-24	2.0	Clear/Amber	3 Bolt Flange/1" Pipe
7160X-VM	12-24	2.0	Specify Color	Vacuum Magnet
7160CX-VM	12-24	2.0	Clear/Amber	Vacuum Magnet

Replace X in part number with desired color: A=amber, B=blue, C=clear, G=green, R=red

Features and Benefits

- High intensity LEDs and reflector technology produce an SAE Class I warning signal
- 15 flash patterns and hi/lo intensity control
- Multiple units can be synchronized
- Cigarette plug with on/off and flash pattern switch (vacuum magnet only)
- SAE J845 Class I and Cal. Title 13 (A, B and CA only); SAE J845 Class II (CC only)
- CE, R10, IP66
- Temperature Range: -22°F to +122°F (-30°C to +50°C)
- Warranty: 5 years



Flash Patterns (15)

- Steady Burn Always On
- Title 13 Slow 65 Single FPM Phase A&B
- Title 13 Fast 115 Single FPM Phase A&B
- Title 13 Quad 75 Quad FPM Phase A&B
- Double Flash 75 Double FPM Phase A&B
- Fast Double 130 Double FPM Phase A&B
- Quad Flash 75 Quad FPM Phase A&B
- Quint Hold 75 Quint FPM (Hold) Phase A&B
- Pulse8 75 Oct FPM Phase A&B
- Slow Rotate 75 RPM
- Fast Rotate 120 RPM
- Wave Rotate 70 RPM
- Rotate/Quad 150RPM / 75 Quad FPM
- Ramp Up/Down Always on - Bright to Dim to Bright
- Cycle Flash Cycle through patterns