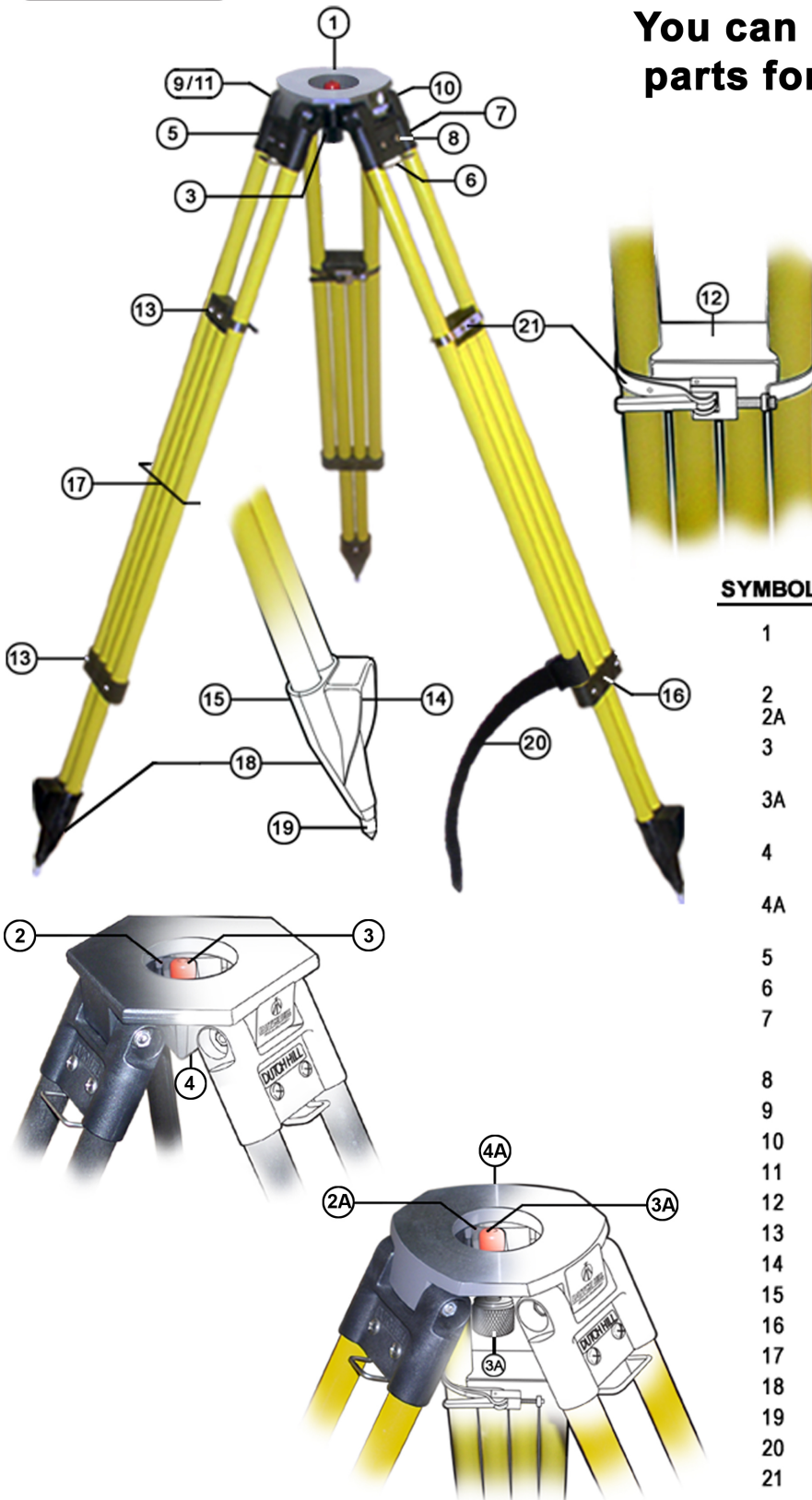




Anatomy of a Tripod

PARTS LIST

You can order replacement parts for all tripod models



<u>SYMBOL</u>	<u>PART#</u>	<u>DESCRIPTION</u>
1	80110-A	Aluminum Tripod Head
	80110	Composite Tripod Head
2	80200	Pivot Bracket (composite head)
2A	80200-A	Pivot Bracket (aluminum head)
3	82100	5/8-11 Instrument Fastener (composite head)
3A	82100-A	5/8-11 Instrument Fastener (aluminum head)
4	80300	Pivot Bracket Screw (composite head)
4A	80300-A	Pivot Bracket Screw (not shown) (aluminum head)
5	81115	Swivel Bracket
6	81295	Battery Hanger
7	81110	Swivel Bracket Nut (1/4-20 Nylok) (not shown)
8	81112	Swivel Bracket Screw (1/4-20x1")
9	85110	Head Bolt (Hex Head (3/8-16x3"))
10	85210	Head Nut (93/8-16 Nylok)
11	88200	Nylon Washers (6 ea.)
12	81230	Slide Bracket
13	81280	#8x1/2" Sheet Metal Screw
14	81250	Foot Bolt
15	81260	Foot Nut
16	81220	Fixed Bracket
17	81120	Leg Tube 34.5" length (yellow)
18	81240	Foot with Point
19	81241	Replacement Foot Point
20	85900	Leg Strap
21	81270	Quick-lock Assembly